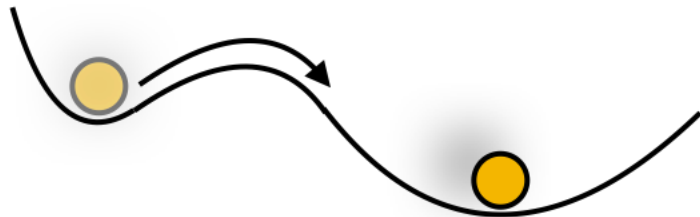
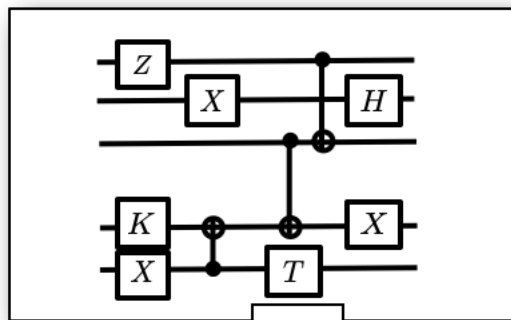


# User-defined NISQ Algorithms



# Quantum Circuits



## Compilation

# Elementary Operations: Ion-Crystal Reconfiguration, Gates

M1	S1	M2	S2	S3	Operation
					Start config.
					XX(a2,a1) Rotate Y(d1)
					Re-cool XX(a1,d1) YY(a2,a3)
		⋮			
					XX(a1,a4) Meas/reset

## Benchmarking Error Suppression

